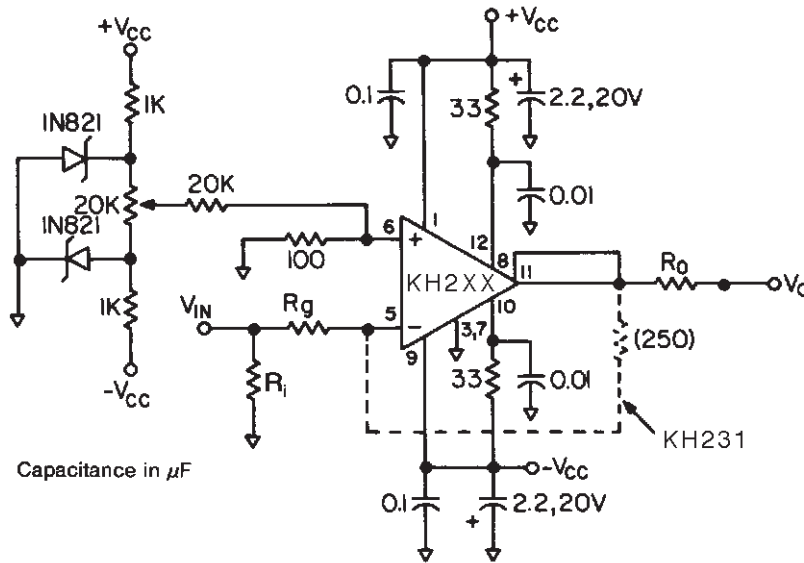


General Description

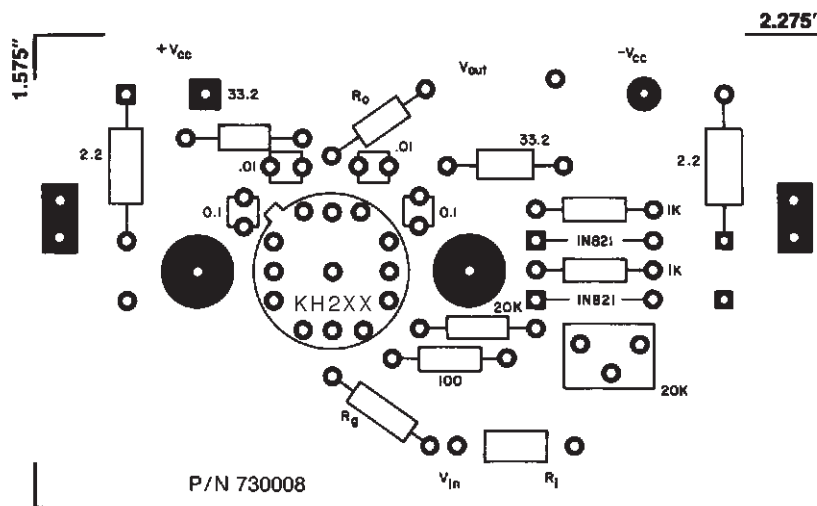
Part numbers 730008 (inverting) and 730009 (non-inverting) are evaluation boards designed to help design engineers evaluate and use the KH2XX Series op amps. In addition, the boards can serve as a guide for engineers who are developing printed circuit layouts for op amps.

Part number 730008 is designed for inverting gains, and part number 730009 is designed for non-inverting gains. Each is discussed individually.

Part Number 730008 – Inverting Gains

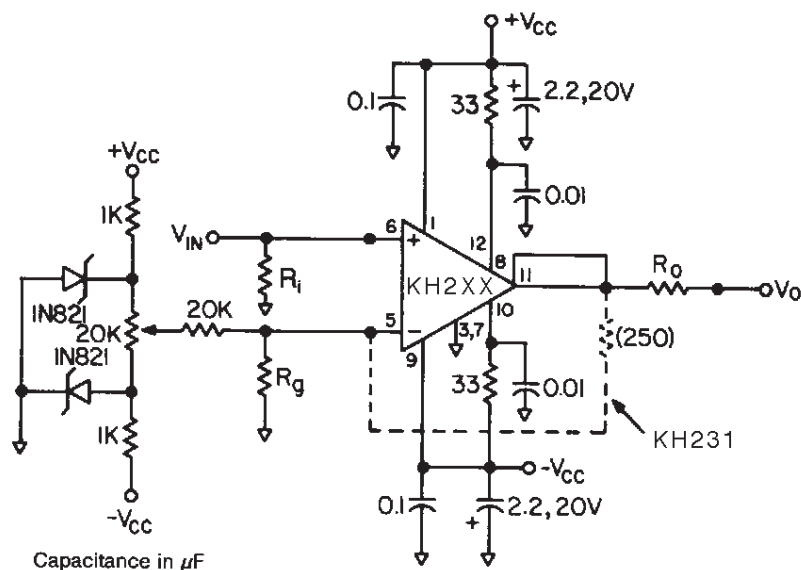


Schematic Diagram

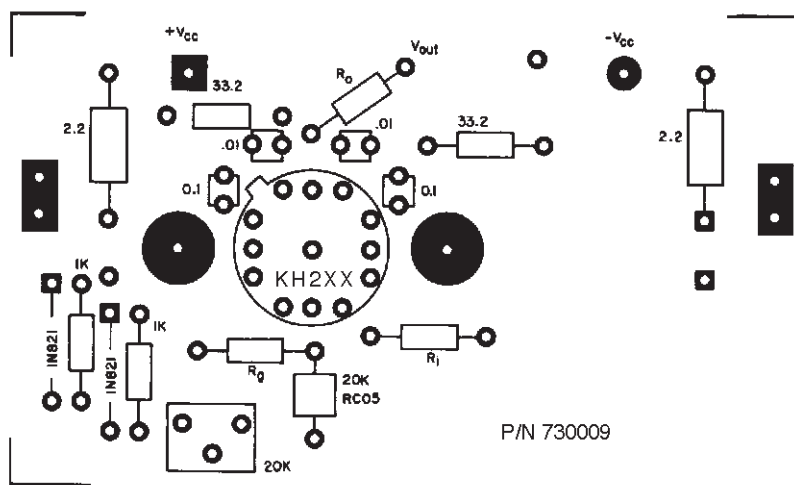


Top View

Note to KH231 Users: Cut traces between pins 11 and 8 on bottom of board and add a 250Ω resistor between pins 5 and 11 (on bottom).



Schematic Diagram



Top View

Note to KH231 Users: Cut traces between pins 11 and 8 on bottom of board and add a 250Ω resistor between pins 5 and 11 (on bottom).

Parts List

Designator	Value or Equation	
	Non-Inverting	Inverting
R_o	$Z(out)$	$Z(out)$
R_g	$R_f/(A_v - 1)$	$R_f/ A_v $
R_f	$Z(in)$	$Z(in) R_g/[R_g - Z(in)]$

Capacitors	
Designator	Value
0.01	0.01µF, 20V ceramic
0.1	0.1µF, 20V ceramic
2.2	2.2µF, 20V ceramic

Hardware	
Sockets	Cambion flush-mount connector jacks (#450-2598)

All resistors metal film RN55D or equivalent except:
 20k trimpot (offset adjust)
 20k RC05 (or equivalent)