

Comlinear™ CLC2601, CLC3601, CLC4601

Dual, Triple, and Quad 550MHz Amplifiers



FEATURES

- 0.1dB gain flatness to 120MHz
- 0.01%/0.06° differential gain/phase error
- 335MHz -3dB bandwidth at G = 2
- 550MHz -3dB bandwidth at G = 1
- 1,500V/μs slew rate
- 52mA output current (easily drives two video loads)
- 5.2mA supply current
- Fully specified at ±5V supplies
- CLC2601: Pb-free SOIC-8
- CLC3601/CLC4601: Pb-free SOIC-14

APPLICATIONS

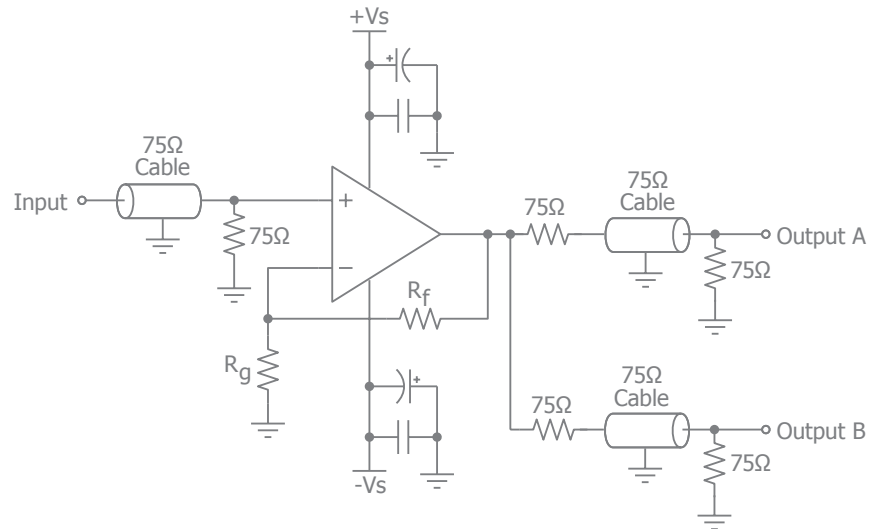
- Video line drivers
- S-Video driver
- Video switchers and routers
- ADC buffer
- Active filters
- Cable drivers
- Twisted pair driver/receiver

General Description

The *Comlinear* CLC2601 (dual), CLC3601 (triple), and CLC4601 (quad) are high-performance, current feedback amplifiers. These amplifiers provide 450MHz unity gain bandwidth, ±0.1dB gain flatness to 120MHz, and provide 1,500V/μs slew rate exceeding the requirements of high-definition television (HDTV) and other multimedia applications. These *Comlinear* high-performance amplifiers also provide ample output current to drive multiple video loads.

The *Comlinear* CLC2601, CLC3601, and CLC4601 are designed to operate from ±5V supplies. They consume only 5.2mA of supply current per channel. The combination of high-speed, low-power, and excellent video performance make these amplifiers well suited for use in many general purpose, high-speed applications including standard definition and high definition video.

Typical Application - Driving Dual Video Loads



Ordering Information

Part Number	Package	Pb-Free	Operating Temperature Range	Packaging Method
CLC2601ISO8X	SOIC-8	Yes	-40°C to +85°C	Reel
CLC2601ISO8	SOIC-8	Yes	-40°C to +85°C	Rail
CLC3601ISO14X	SOIC-14	Yes	-40°C to +85°C	Reel
CLC3601ISO14	SOIC-14	Yes	-40°C to +85°C	Rail
CLC4601ISO14X	SOIC-14	Yes	-40°C to +85°C	Reel
CLC4601ISO14	SOIC-14	Yes	-40°C to +85°C	Rail

Moisture sensitivity level for all parts is MSL-1.

Electrical Characteristics

T_A = 25°C, V_S = ±5V, R_F = 510Ω, R_L = 100Ω, G = 2; unless otherwise noted.

Parameter	Conditions	Min	Typ	Max	Units
Frequency Domain Response					
-3dB Bandwidth	G = +1, R _F = 1kΩ V _{OUT} = 0.2V _{pp}		550		MHz
-3dB Bandwidth	G = +2, V _{OUT} = 0.2V _{pp}		335		MHz
Large Signal Bandwidth	G = +2, V _{OUT} = 4V _{pp}		200		MHz
0.1dB Gain Flatness	G = +2, V _{OUT} = 0.2V _{pp} (R _F = 453Ω for CLC4601)		120		MHz
0.1dB Gain Flatness	G = +2, V _{OUT} = 4V _{pp}		55		MHz
Time Domain Response					
Rise and Fall Time	V _{OUT} = 2V step; (10% to 90%)		1.4		ns
Settling Time to 0.1%	V _{OUT} = 2V step		6		ns
Overshoot	V _{OUT} = 0.2V step		1.5		%
Slew Rate	V _{OUT} = 4V step		1500		V/μs
Distortion/Noise Response					
2nd Harmonic Distortion	2V _{pp} , 1MHz		-82		dBc
3rd Harmonic Distortion	2V _{pp} , 1MHz		-83		dBc
Total Harmonic Distortion	2V _{pp} , 1MHz		-80		dB
Differential Gain	NTSC (3.58MHz), DC-coupled, R _L = 150Ω		0.01		%
Differential Phase	NTSC (3.58MHz), DC-coupled, R _L = 150Ω		0.06		°
Input Voltage Noise	> 1MHz		7		nV/√Hz
Input Current Noise (+)	> 1MHz		1.3		pA/√Hz
Input Current Noise (-)	> 1MHz		11		pA/√Hz
Crosstalk	Channel-to-Channel 5MHz		-56		dB
DC Performance					
Input Offset Voltage ⁽¹⁾		-7.5	2.7	7.5	mV
Average Drift			15		μV/°C
Input Bias Current Non-Inverting ⁽¹⁾		-7.0	2.6	7.0	μA
Average Drift			6		nA/°C
Input Bias Current Inverting ⁽¹⁾		-30	7.4	30	μA
Average Drift			15		nA/°C
Power Supply Rejection Ratio ⁽¹⁾	DC	57	61		dB
Open-Loop Transresistance	V _{OUT} = V _S /2		420		mΩ
Supply Current ⁽¹⁾	CLC2601 Total		10.4	14	mA
	CLC3601 Total		20.8	28	mA
	CLC4601 Total		20.8	28	mA
Input Characteristics					
Input Resistance	Non-Inverting		8		mΩ
Input Capacitance			1		pF
Common Mode Input Range			±2.3		V
Common Mode Rejection Ratio ⁽¹⁾	DC	50	54		dB
Output Characteristics					
Output Resistance	Closed Loop, DC		90		mΩ
Output Voltage Swing	R _L = 100Ω	-2.6	±2.95	2.6	V
	R _L = 1kΩ		±3.35		V
Output Current			52		mA
Short-Circuit Output Current	V _{OUT} = V _S /2		65		mA

Notes:

1. 100% tested at 25°C.
Refer to the data sheet for complete product specifications.

For additional information regarding our products, please visit CADEKA at: cadeka.com

CADEKA Headquarters Loveland, Colorado

T: 970.663.5452

T: 877.663.5415 (toll free)

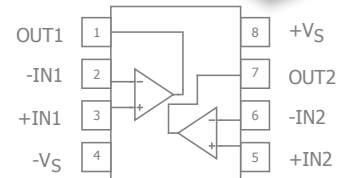
CADEKA, the CADEKA logo design, and Comlinear and the Comlinear logo design, are trademarks or registered trademarks of CADEKA Microcircuit LLC. All other brand and product names may be trademarks of their respective companies.

Copyright ©2008 by CADEKA Microcircuits LLC. All rights reserved.

Available Packages

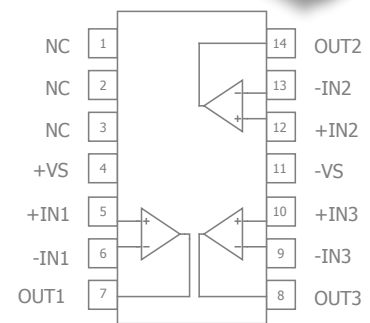
CLC2601 SOIC-8

(not actual size)



CLC3601 SOIC-14

(not actual size)



CLC4601 SOIC-14

(not actual size)

