

General Description

To aid in the evaluation of the KH104 operational amplifier, Cadeka Microcircuits has created evaluation PC board: P/N 730007. The component placement guide is shown below. Other application information is presented in the KH104 data sheet.

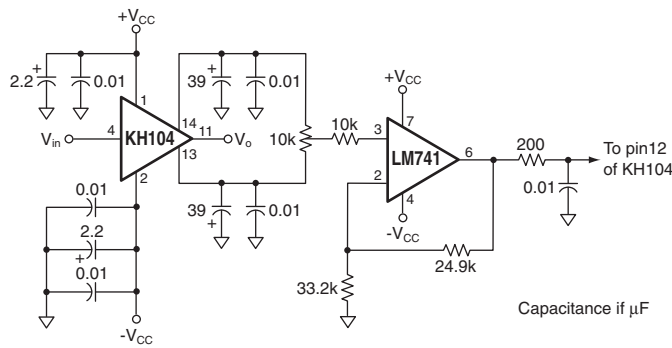


Figure 1: Offset Voltage Adjustment Circuitry

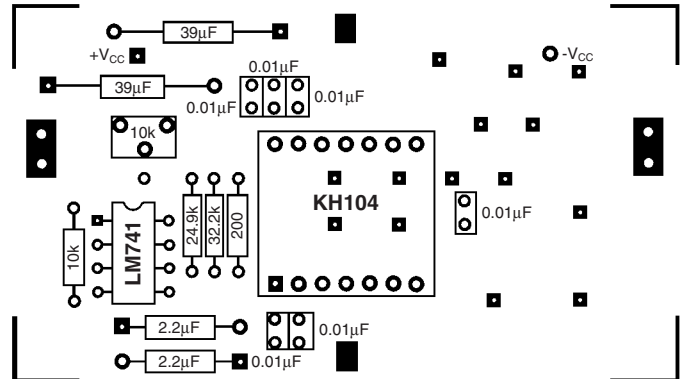


Figure 3: Component Placement Guides

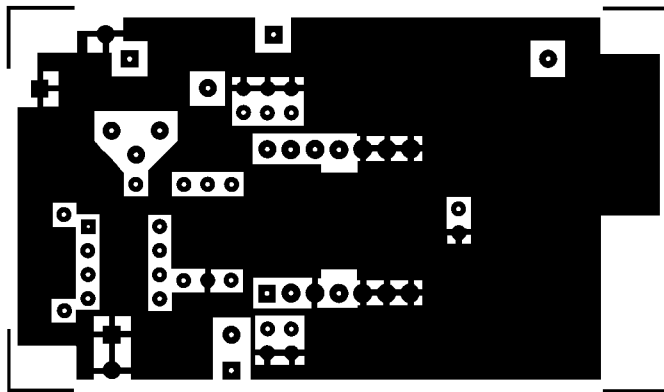


Figure 2: Component Side (Top)

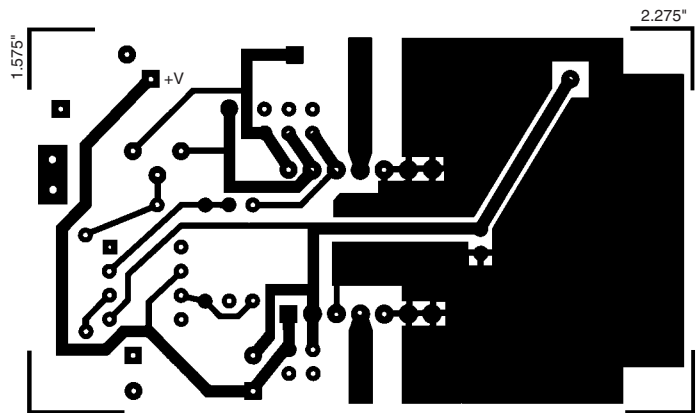


Figure 4: Circuit Side (Bottom):
Viewed from Component Side