

# NCS2530, NCS2530A

## Triple 1.1 mA 200 MHz Current Feedback Op Amp with Enable Feature

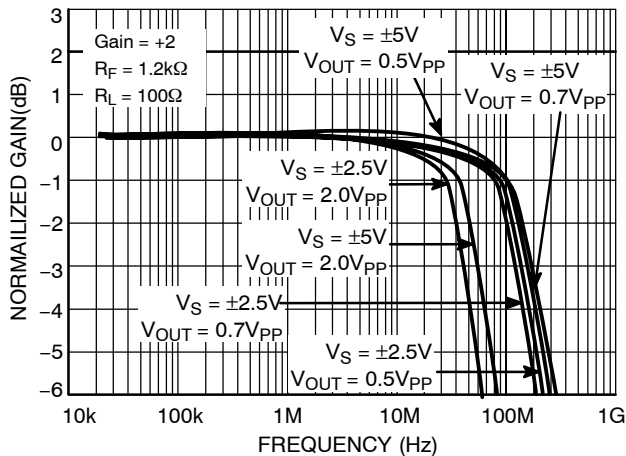
NCS2530 is a triple 1.1 mA 200 MHz current feedback monolithic operational amplifier featuring high slew rate and low differential gain and phase error. The current feedback architecture allows for a superior bandwidth and low power consumption. This device features an enable pin.

### Features

- -3.0 dB Small Signal BW ( $A_V = +2.0$ ,  $V_O = 0.5 V_{p-p}$ ) 200 MHz Typ
- Slew Rate 450 V/ $\mu$ s
- Supply Current 1.1 mA per amplifier
- Input Referred Voltage Noise 4.0 nV/ $\sqrt{\text{Hz}}$
- THD -55 dB ( $f = 5.0$  MHz,  $V_O = 2.0 V_{p-p}$ )
- Output Current 100 mA
- Enable Pin Available
- These are Pb-Free Devices

### Applications

- Portable Video
- Line Drivers
- Radar/Communication Receivers
- Set Top Box
- NTSC/PAL/HDTV

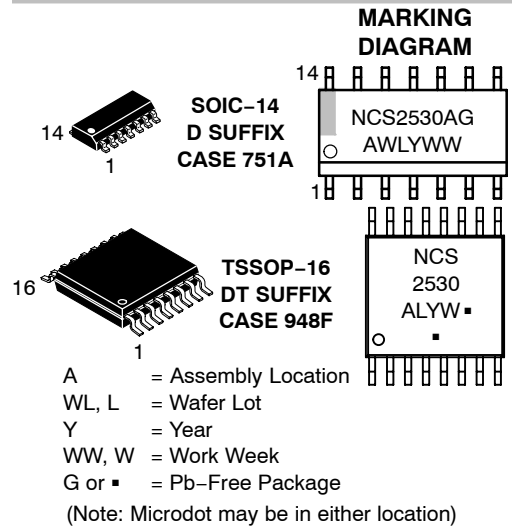


**Figure 1. Frequency Response:**  
Gain (dB) vs. Frequency  $A_V = +2.0$ ,  $R_L = 100 \Omega$

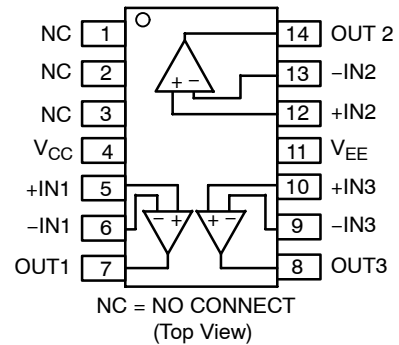


ON Semiconductor®

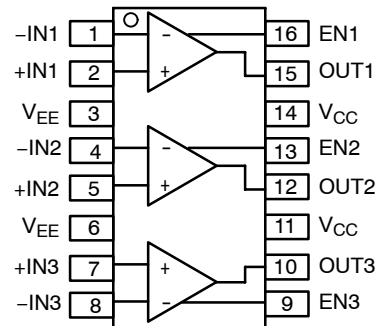
<http://onsemi.com>



### SOIC-14 PINOUT (NCS2530A ONLY)



### TSSOP-16 PINOUT (NCS2530 ONLY)



### ORDERING INFORMATION

See detailed ordering and shipping information in the package dimensions section on page 13 of this data sheet.